

Helicopter Approach Path Indicator (HAPI)

AH-HP-HAPI



The Helicopter Approach Path Indicator - HAPI system consists of a single lighting to provide a visual indication of the correct approaching path of the helicopter.

The HAPI uses patented, LED-based optics to achieve the lowest power consumption, highest intensity and sharpest green/red transition.



Compliance

- ICAO Annex 14 Volume II - Figure 5-11
- FAA AC 150/5390-2B Heliport Design Guide
- CAP 437

Features

- The HAPI System has a module with lights which has a lens system that divides the light into 4 separate segments:
 1. Flashing Green Light = Helicopter above the optimal approach slope (too high)
 2. Fix Green Light = Helicopter on the slope
 3. Fix Red Light = Helicopter slightly below the optimal slope (slightly too low)
 4. Flashing Red Light = Helicopter below the optimal slope (too low)
- Depending on the viewing angle of the pilot in relation to this system, he sees either the Flashing green or the Fix green or the Fix red or the Flashing Red light.

The signal repetition rate of the flashing sectors must be greater than 2 Hz. In accordance with ICAO, the HAPI is capable of adjustment in elevation at any desired angle between 1 and 12 degrees above the horizontal with an accuracy of +/- 5 minutes of arc. The HAPI System will switch off atomically when the vertical misalignment of a unit exceeds ± 0.5 degrees (± 30 minutes).

APPLICATION



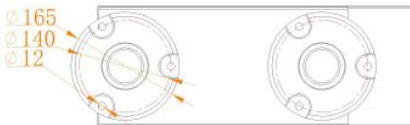
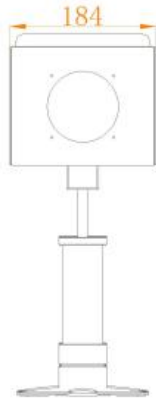
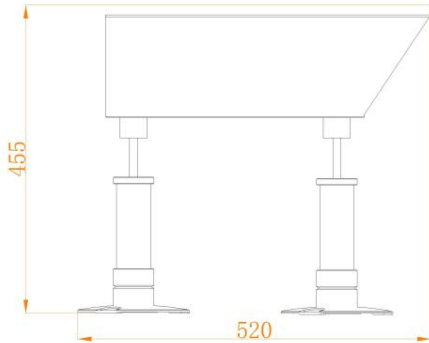
Application

- Helipad/Heliport/Helideck
- Permanent and temporary helipads
- Emergency and hospital helipads
- Remote helipads
- Military & NVG operations

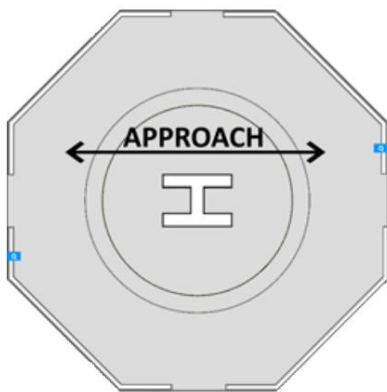
Helicopter Approach Path Indicator (HAPI)

AH-HP-HAPI

Drawing(mm)



Installation



SPECIFICATIONS

AH-HP-HAPI Helicopter Approach Path Indicator (HAPI)

Light Characteristics

Light Source	LED
Available Colors	Green/Red
Intensity(cd)	9000
Photometry	Compliant with ICAO Annex 14 volume II
Working mode	Steady burning + Flashing
Operation Mode	24hours operation
LED Life Experience(hours)	>100,000

Electrical Characteristics

Operating Voltage	AC220V
Power(W)	50
Circuit Protection	Integrated

Physical Characteristics

Body Material	UV protected Polycarbonate
Base Material	Powder-coated Die-casting aluminum
Mounting	140x M10
Dimension(mm)	455x520x184
Weight(kg)	10
Product Life Expectancy	≥10 years

Environmental Factors

Ambient Temperature(°C)	-35~80
Humidity	10~90%
Wind Speed	80m/s
Waterproof	IP66

Compliance

ICAO	ICAO Annex 14 Volume II - Figure 5-11
FAA	FAA AC 150/5390-2B Heliport Design Guide

Options Available

Power coated color
VHF Pilot to Ground Remote Control
NVG-compatible infrared (IR) LEDs
Solar powered